

## CONTENTS :

PAGE1 - CONTENTS

PAGE2 - POWER, XOSC

PAGE3 - CSI, DSI, JTAG

PAGE4 - SD, HDMI, GPIO, A/V

PAGE5 - USB, ETHERNET

PAGE6 - LPDDR2

PAGE7 - WIFI, BLUETOOTH

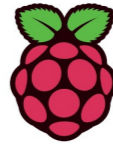
## REVISION HISTORY:

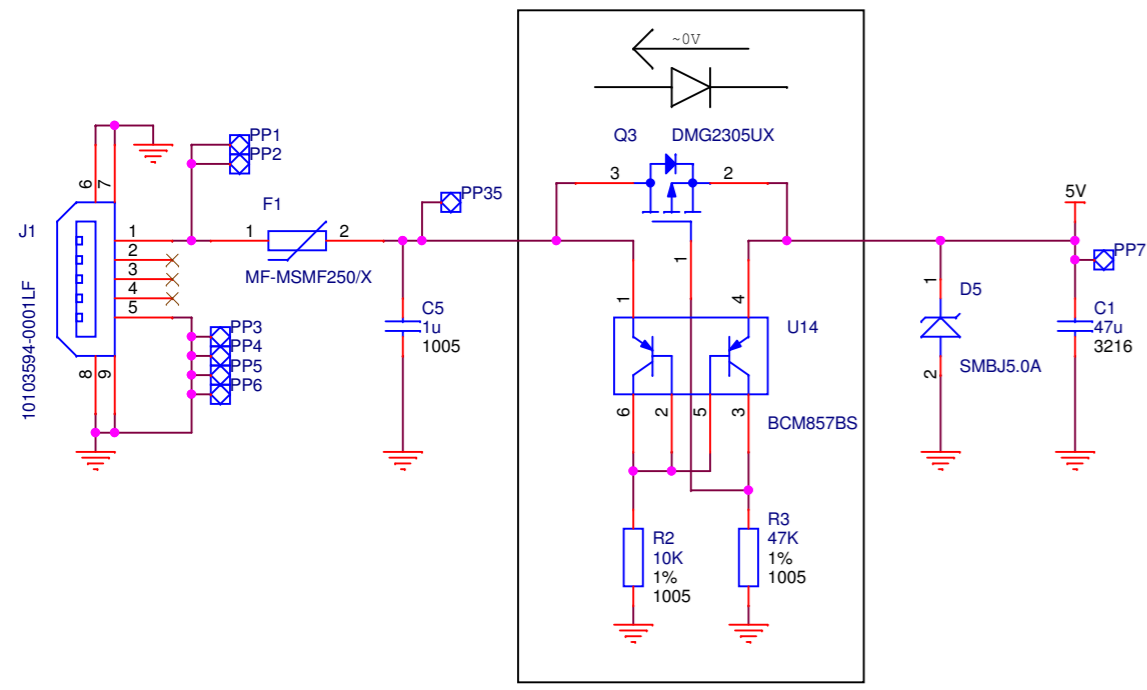
V1.0 - 14/07/2015

V1.1 - 02/10/2015

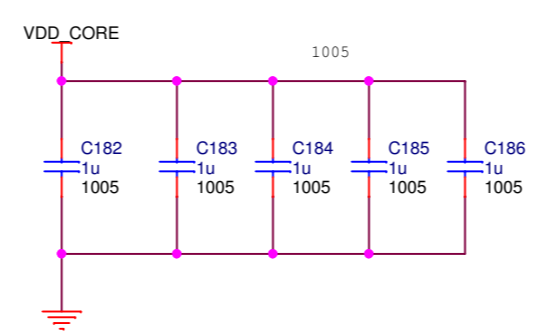
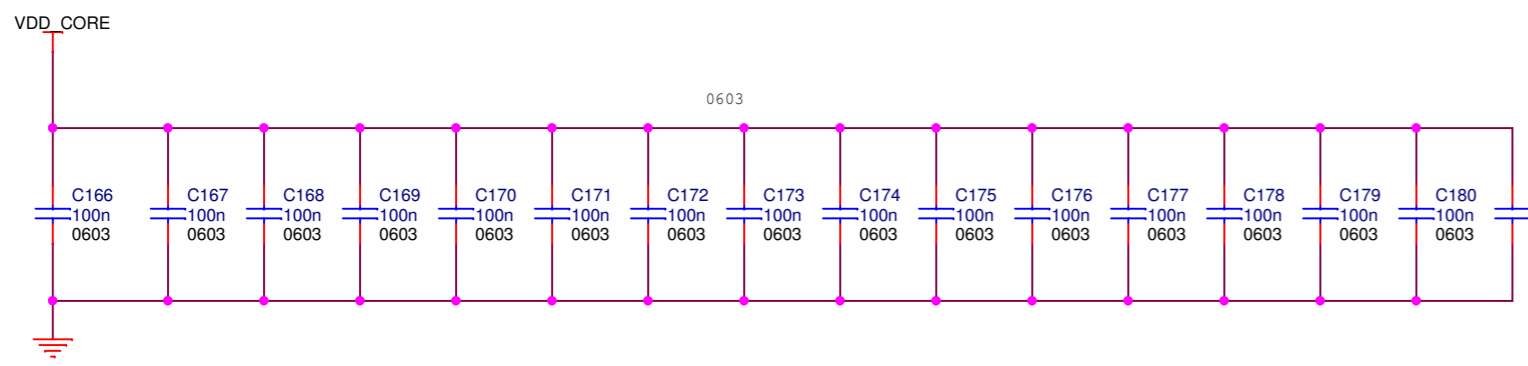
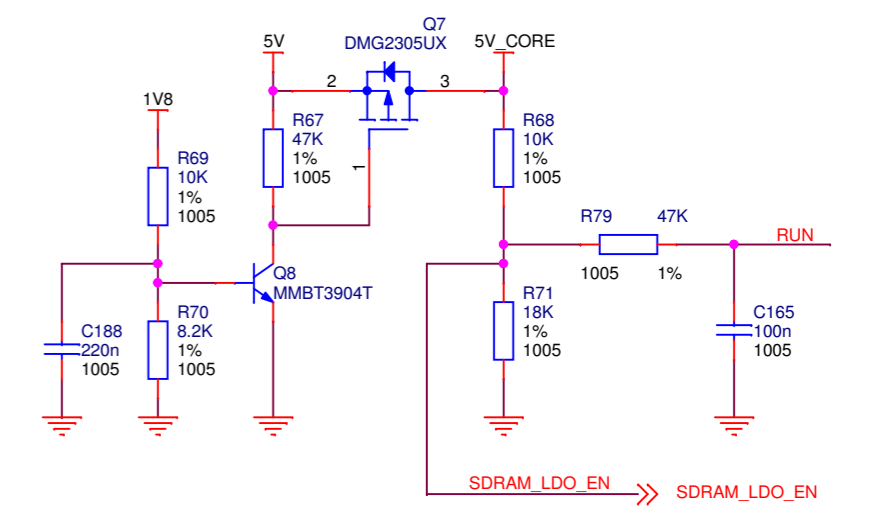
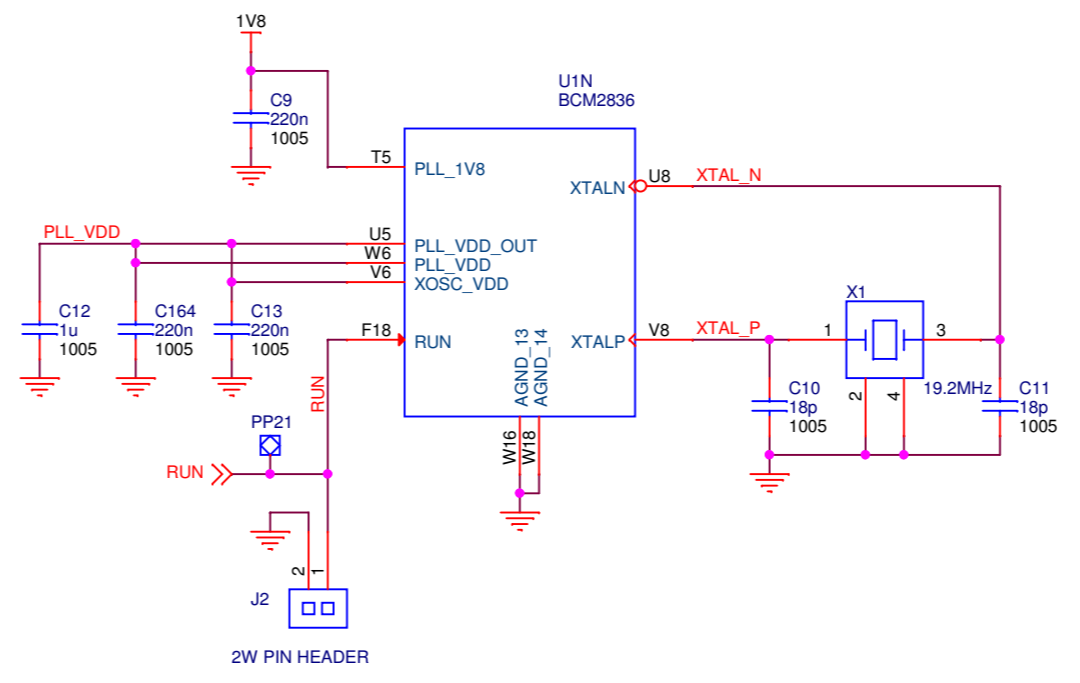
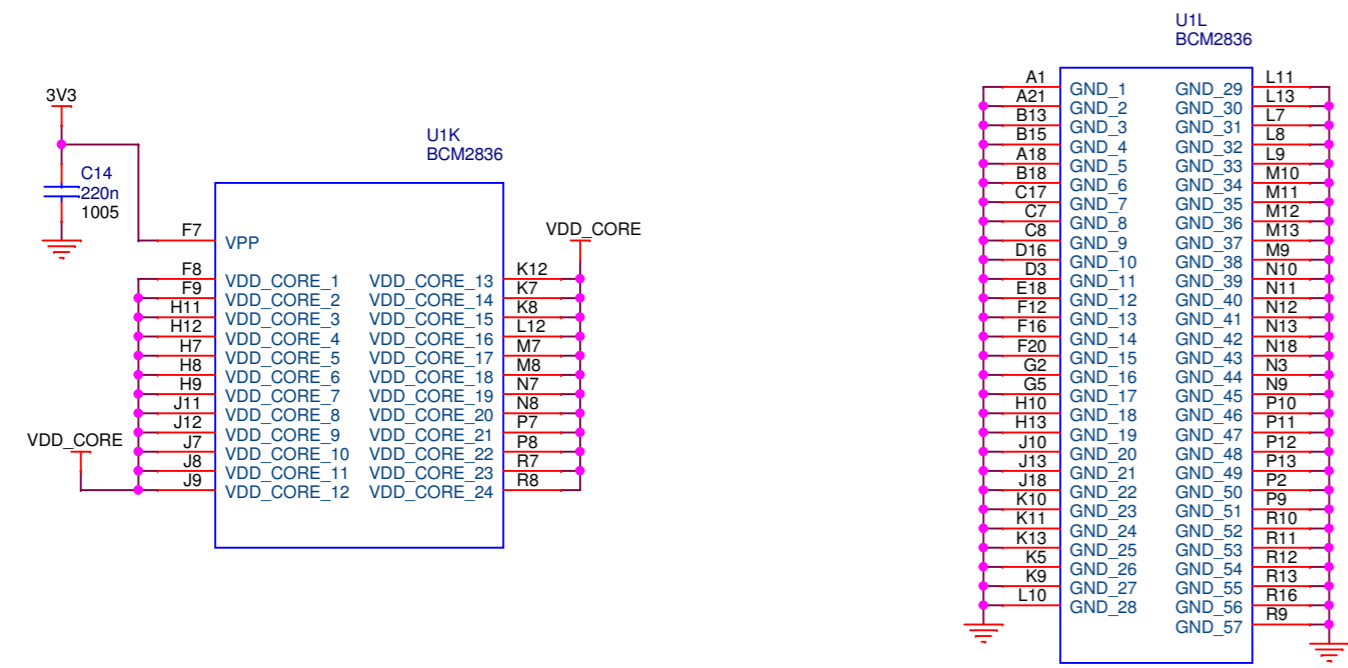
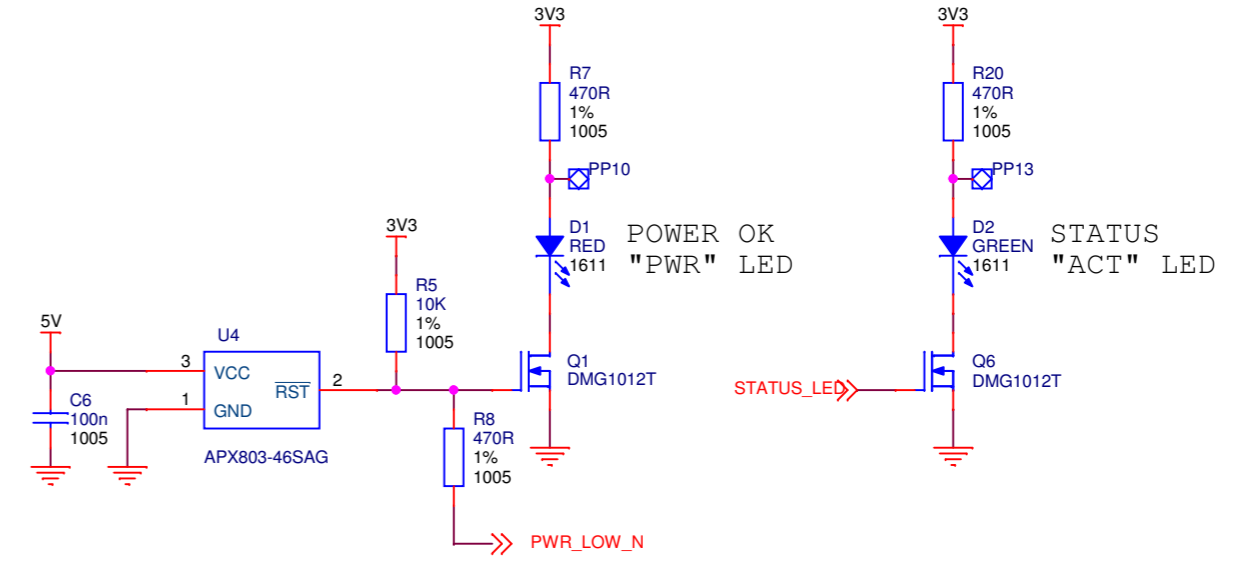
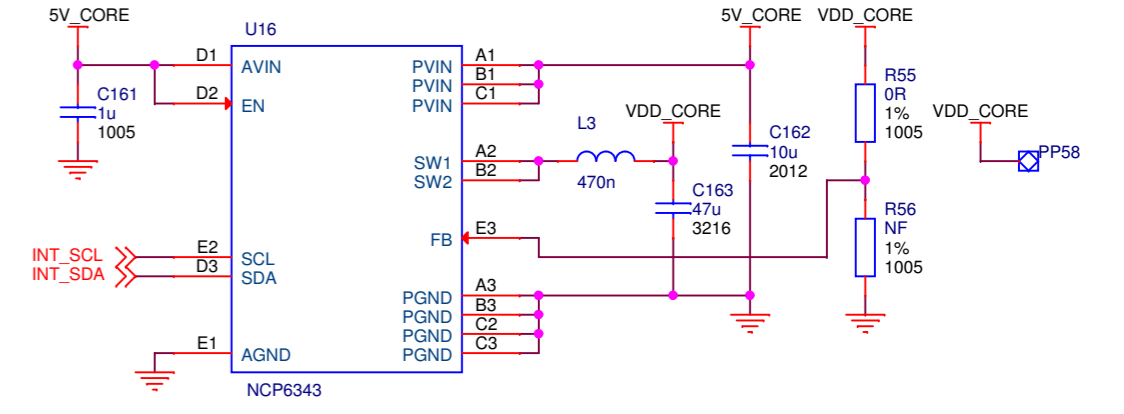
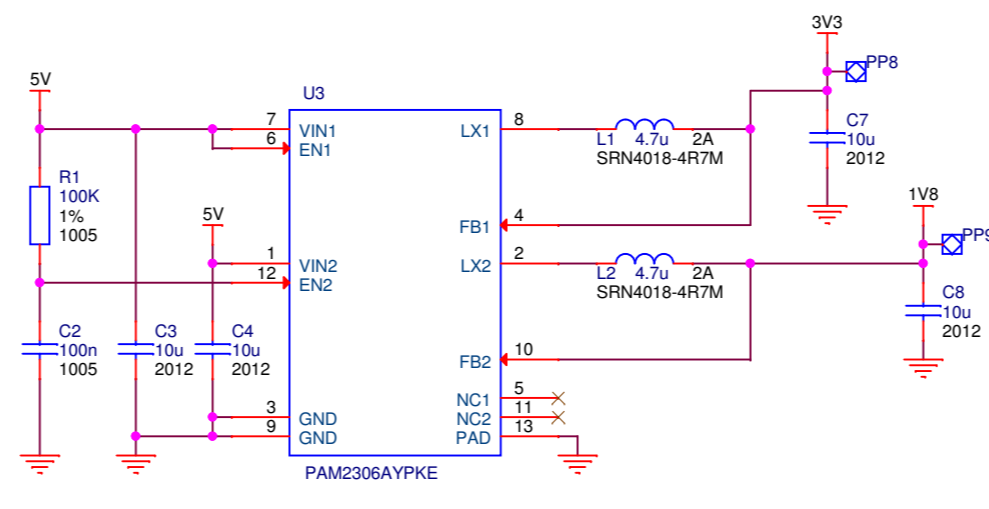
V1.2 - 06/10/2015

V1.2c - 29/10/2015

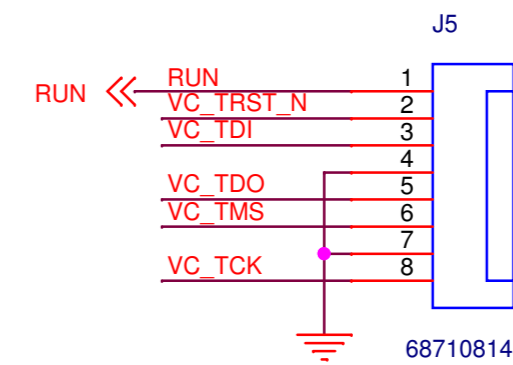
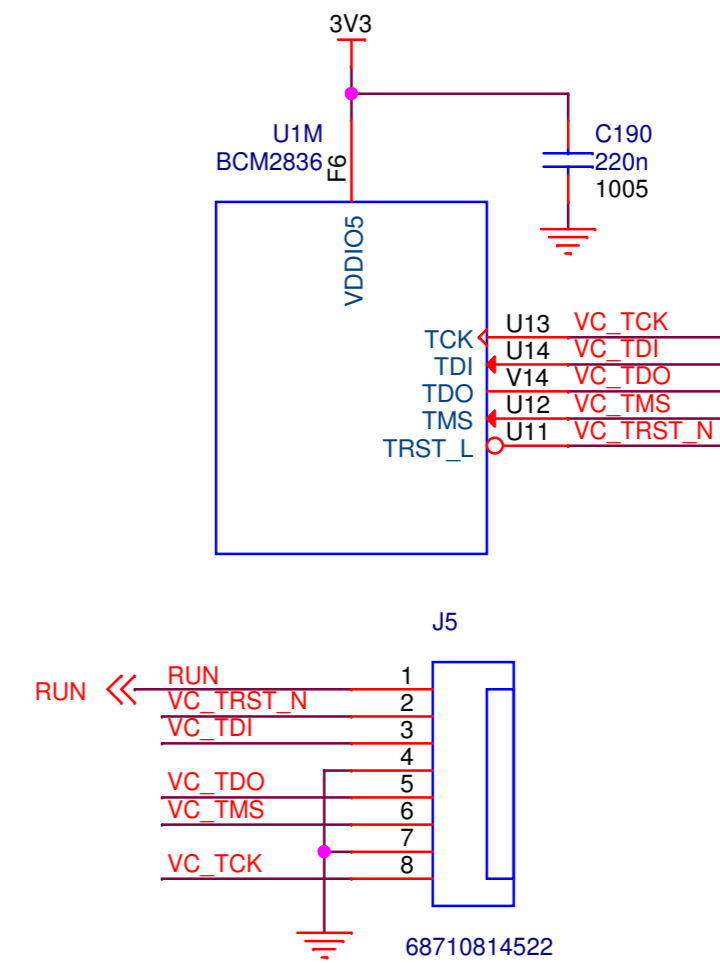
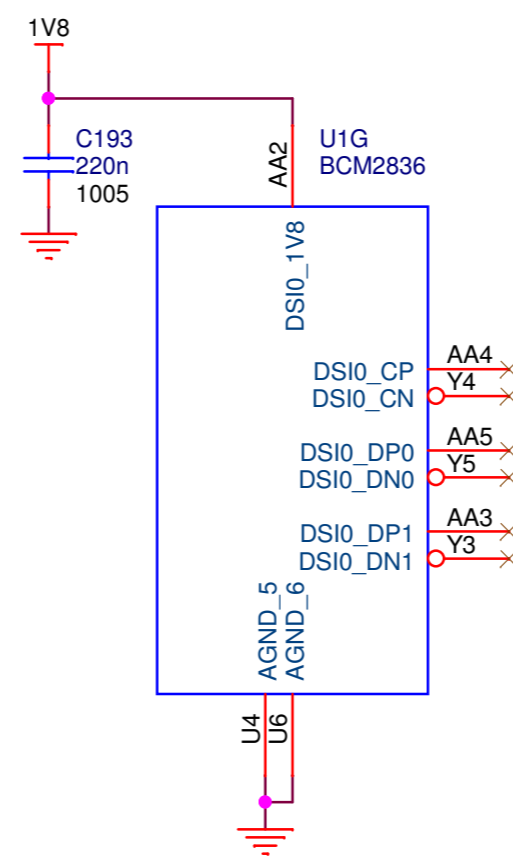
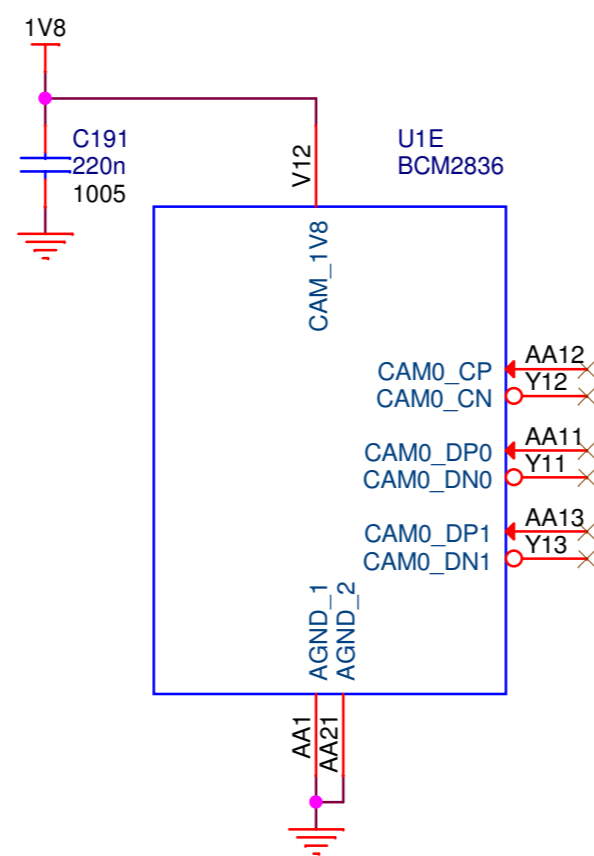
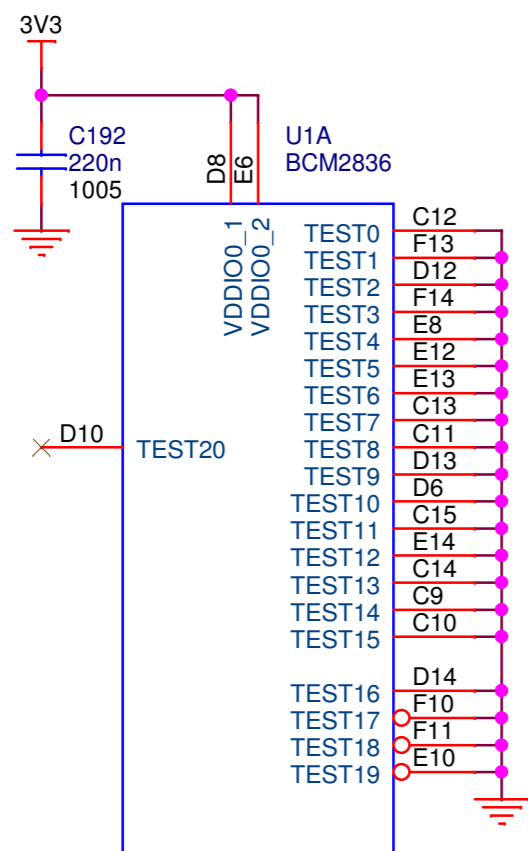
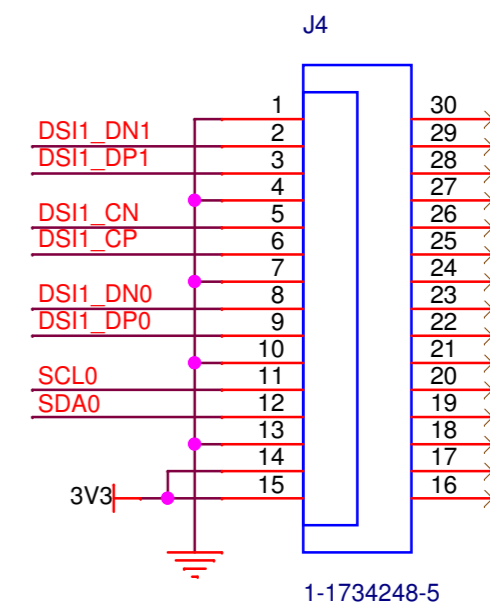
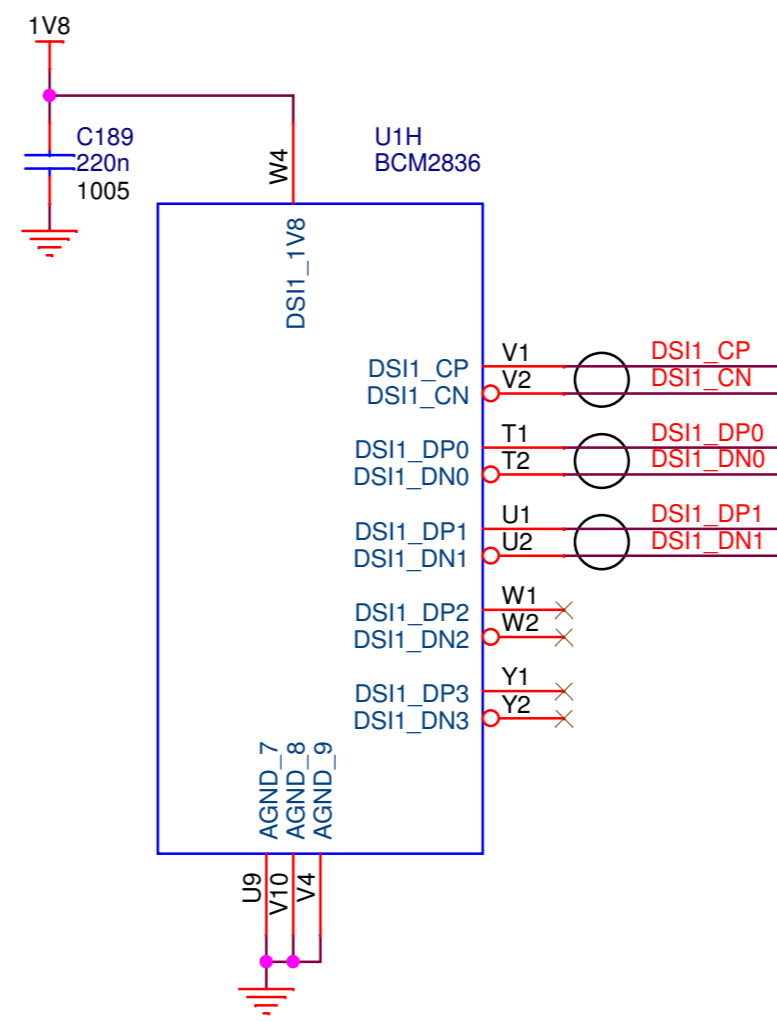
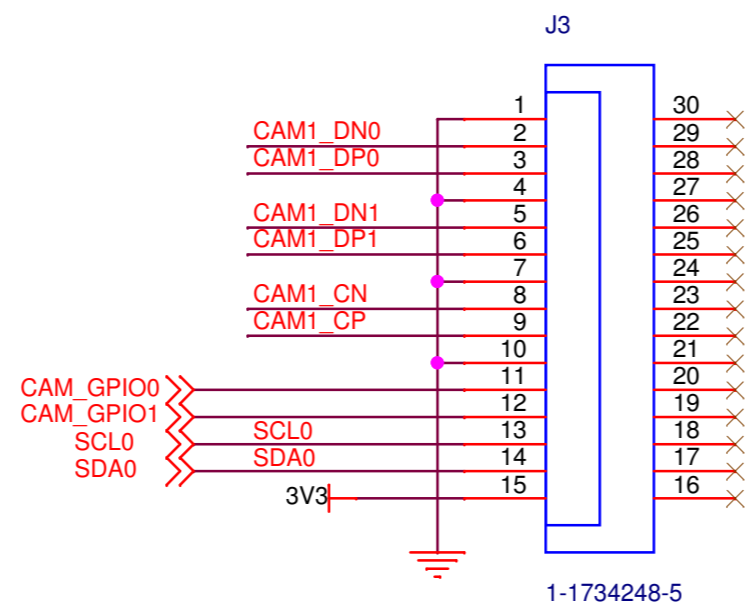
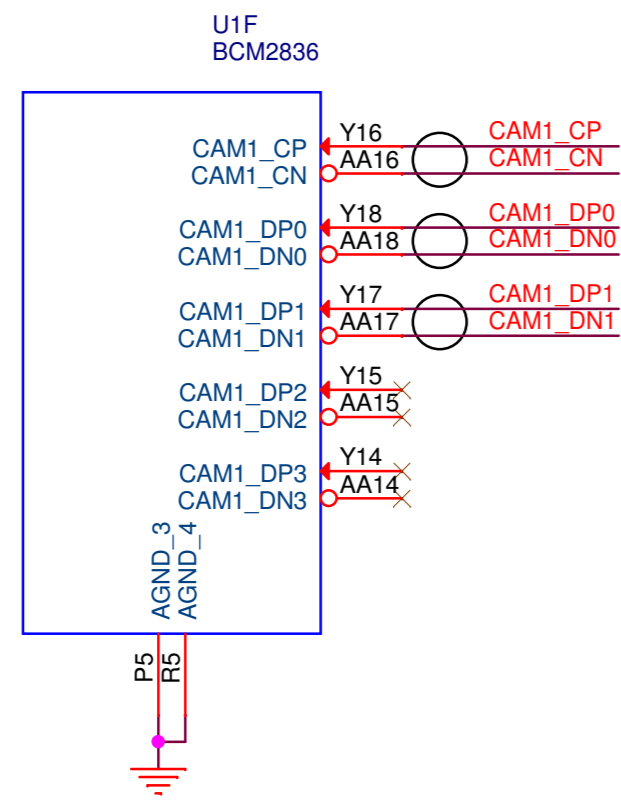
		© Raspberry Pi 2015 <a href="http://www.raspberrypi.org">www.raspberrypi.org</a>	
Title Raspberry Pi 3 Model B		Drawn By James Adams	
Size A3	Ref RPI-3B	Rev 1.2c	
Date: Thursday, October 29, 2015		Sheet 1	of 7

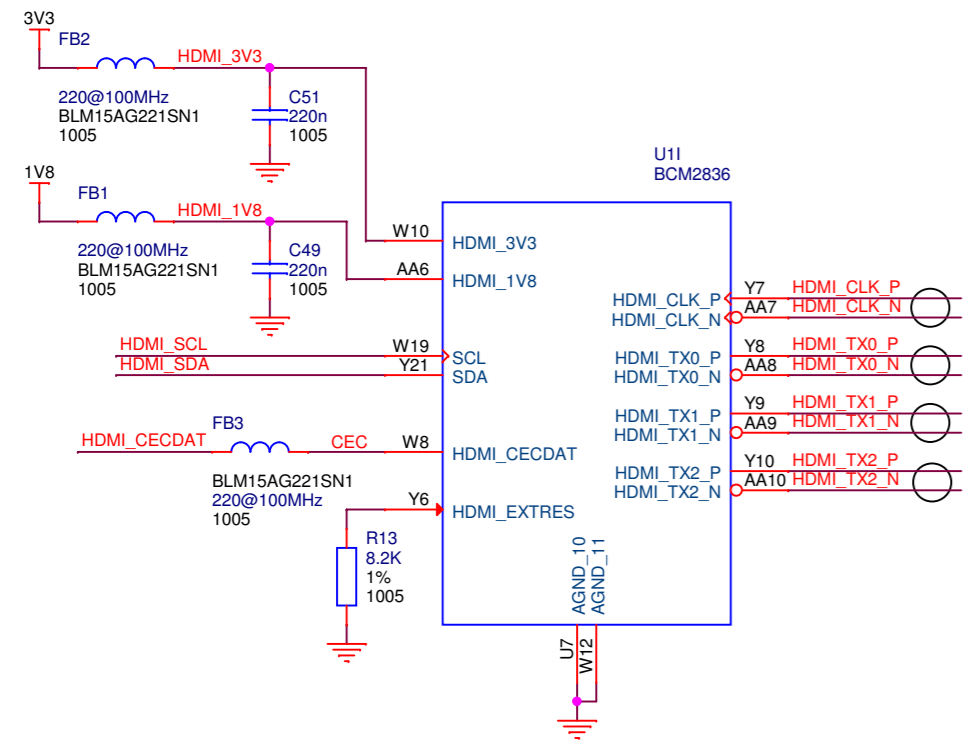


-C107, C108

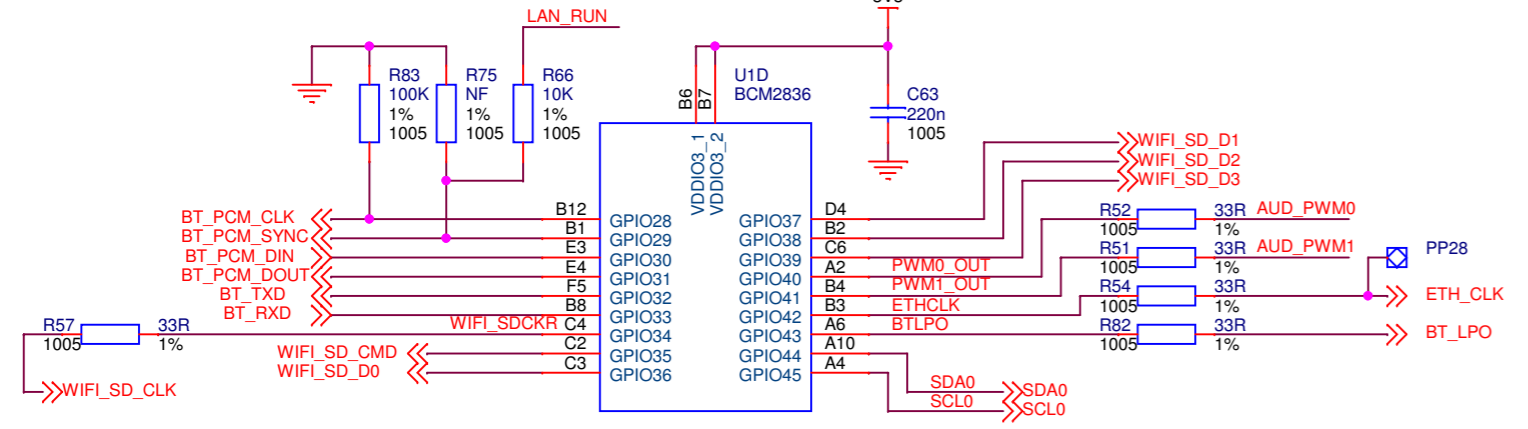
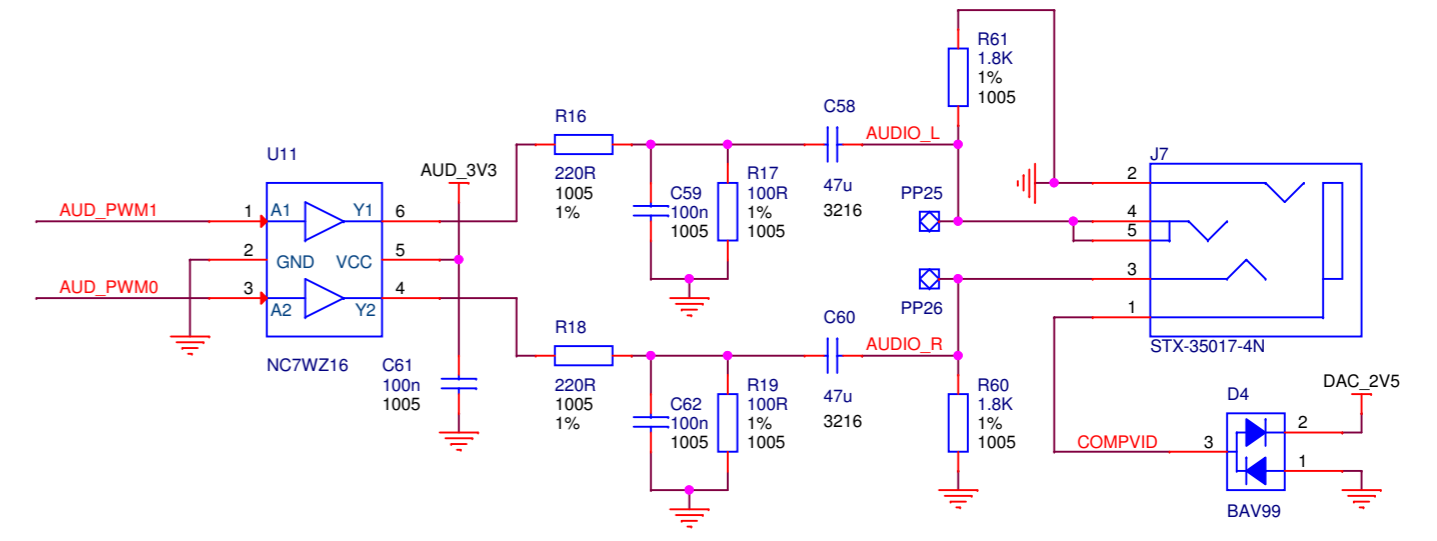
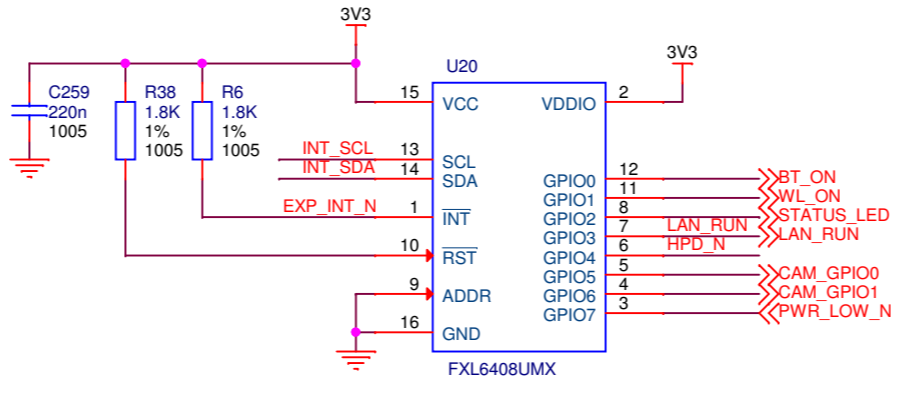
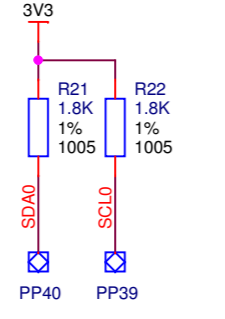
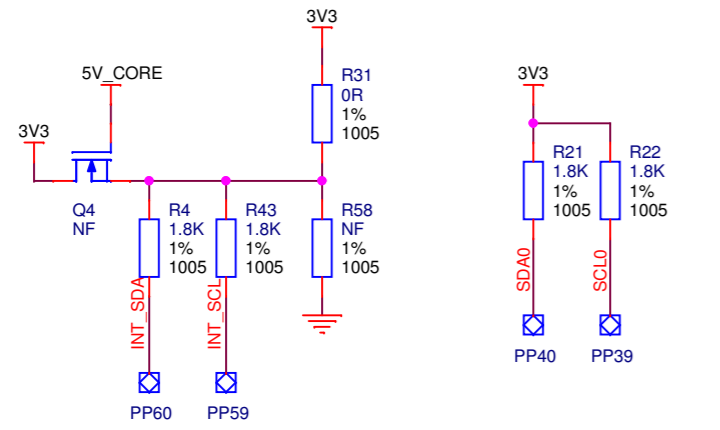
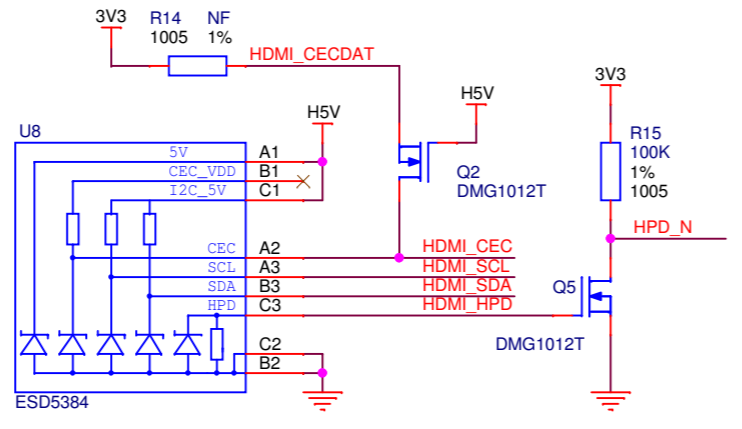
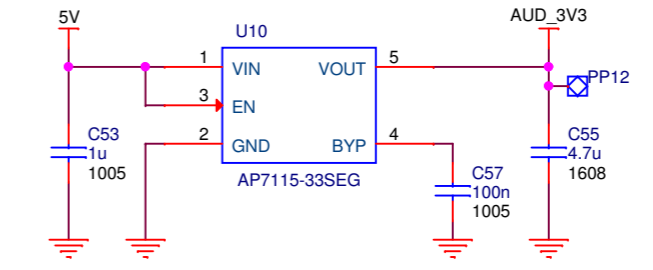
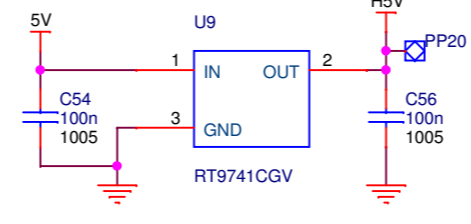
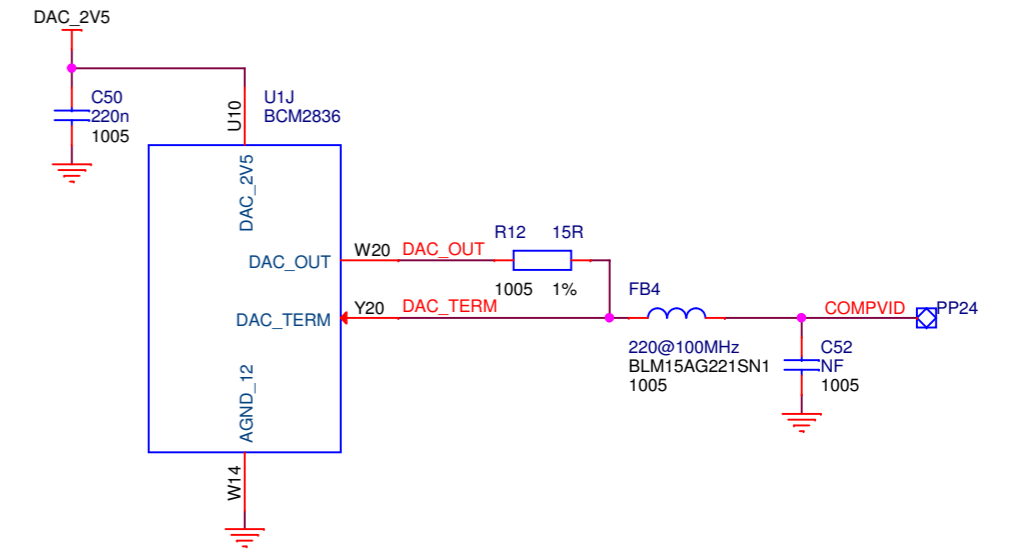
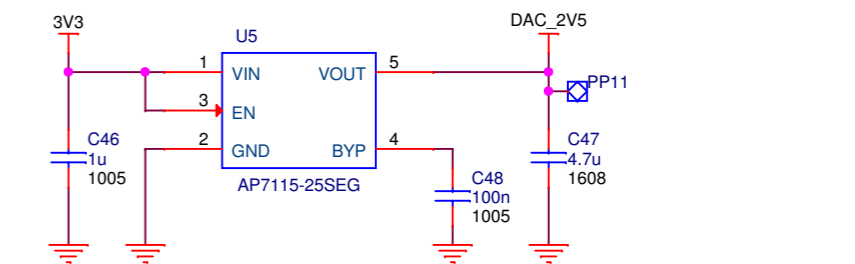
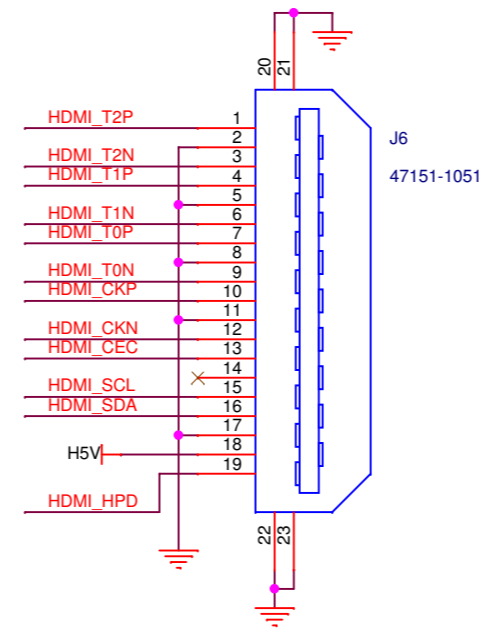
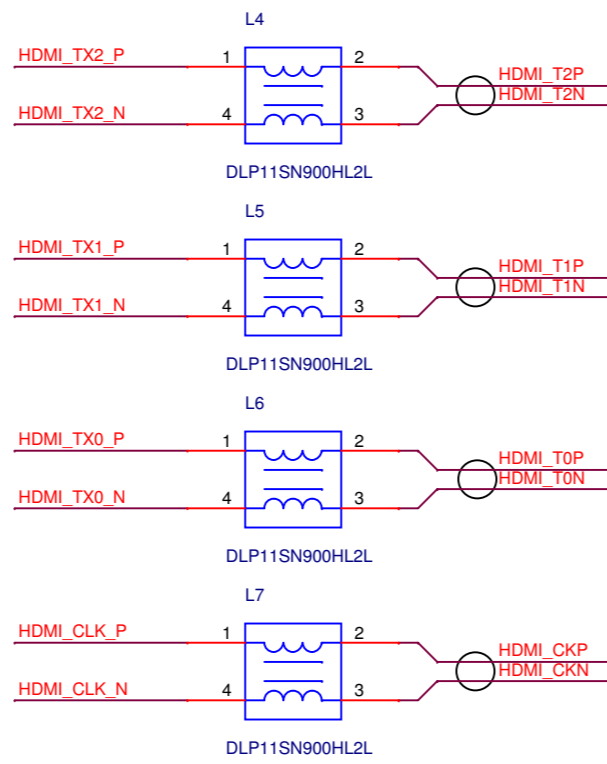


-C100

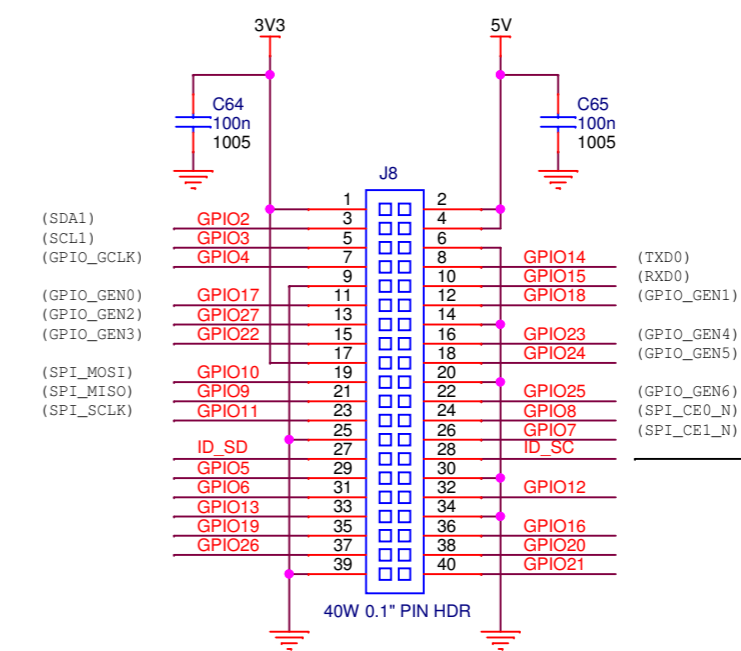
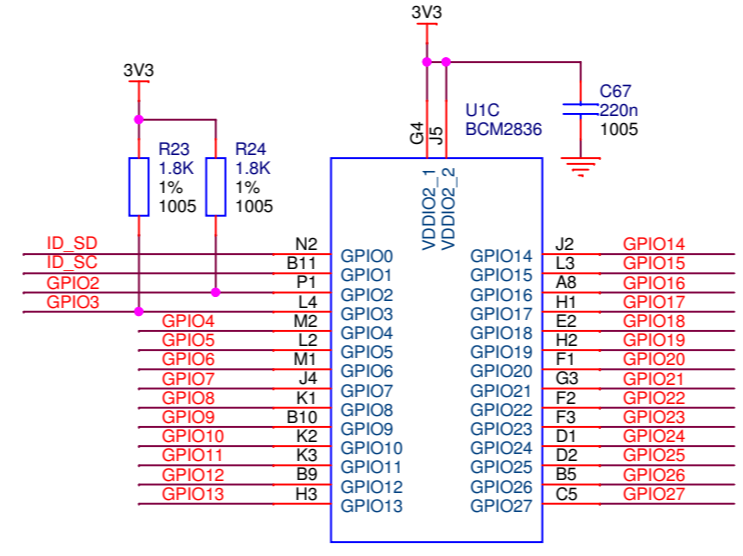




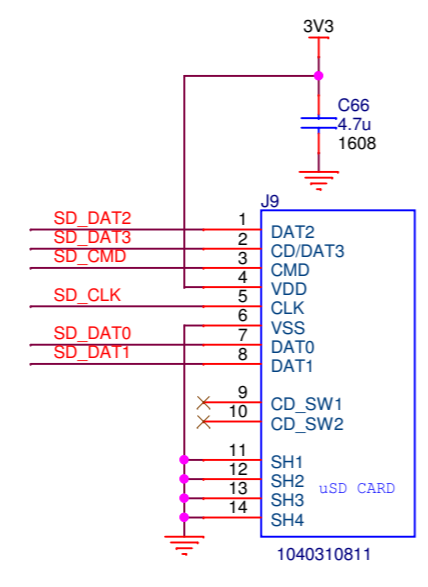
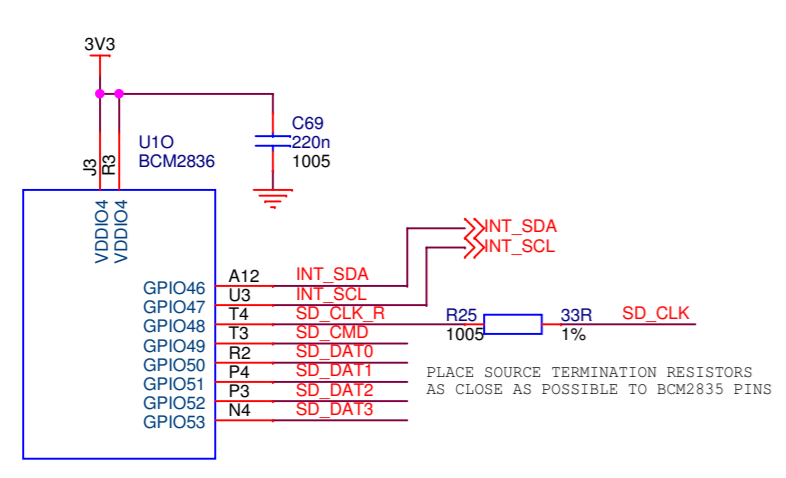
Route ringed signals as matched length 100R differential pairs

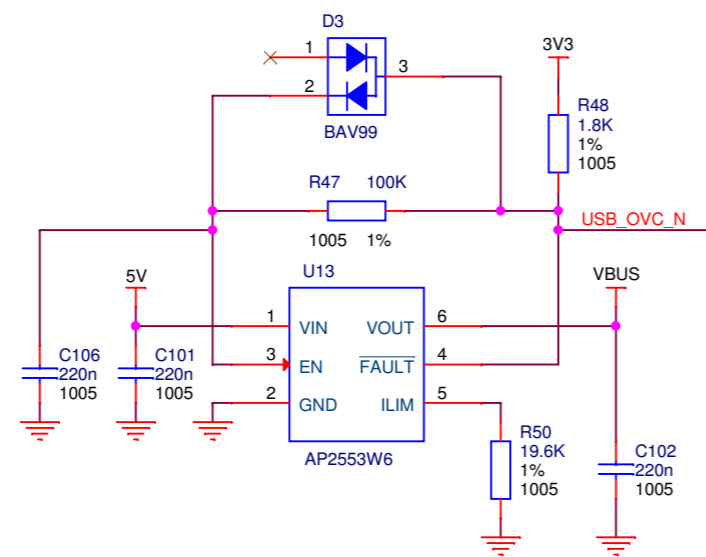
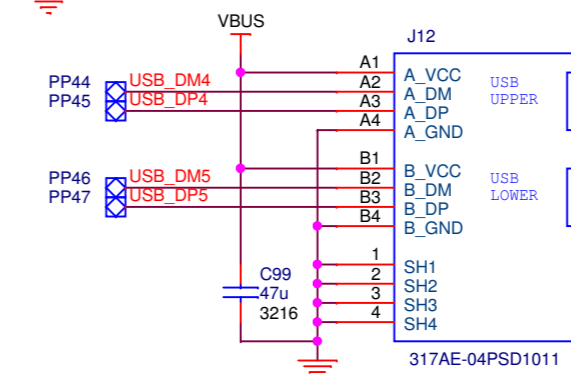
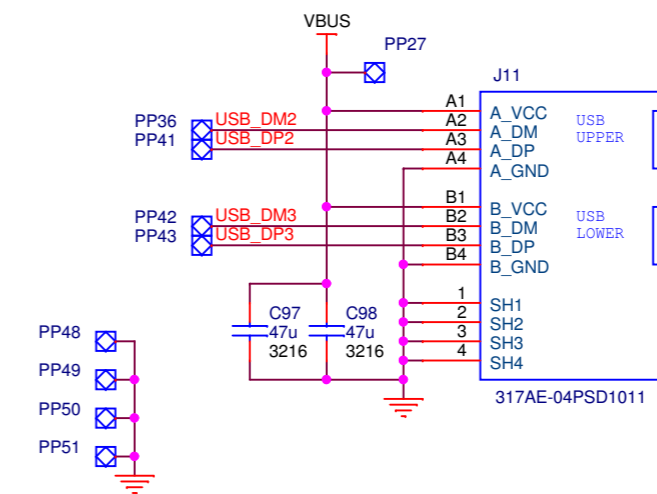
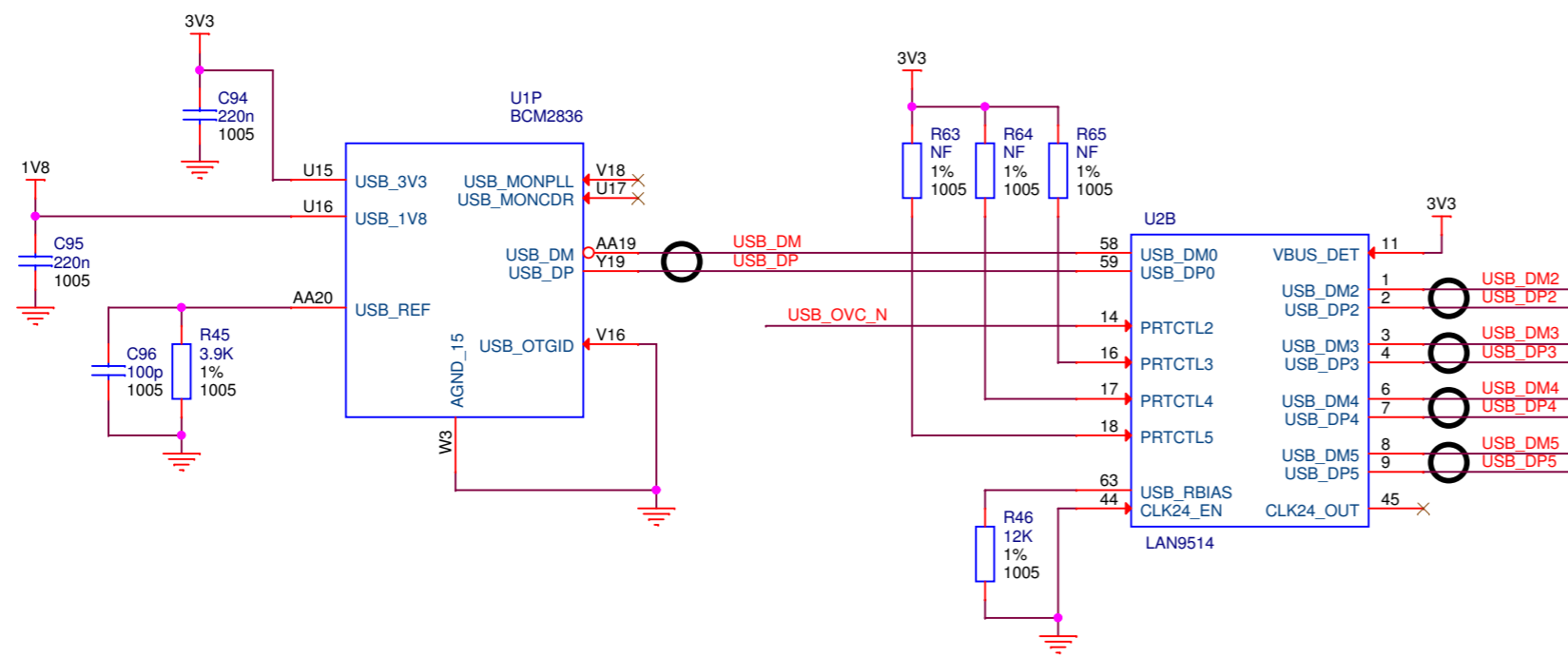
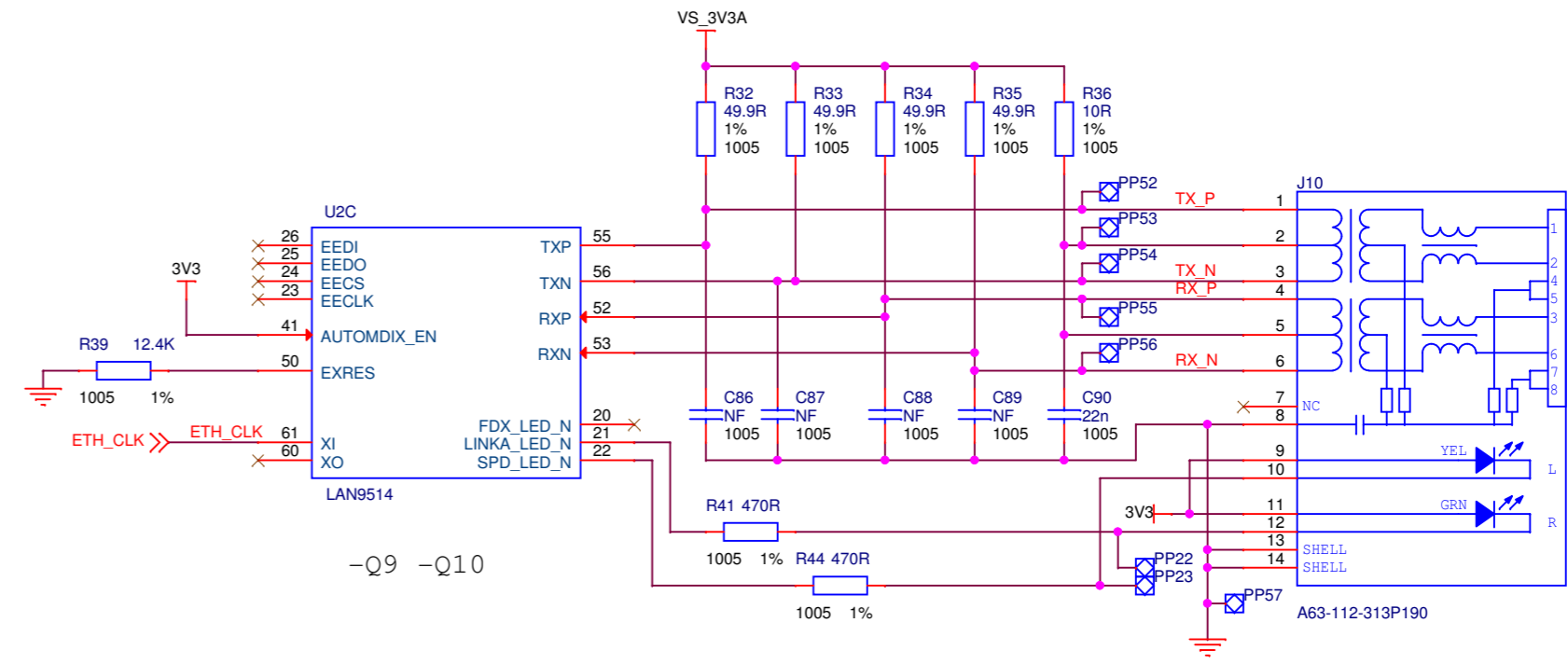
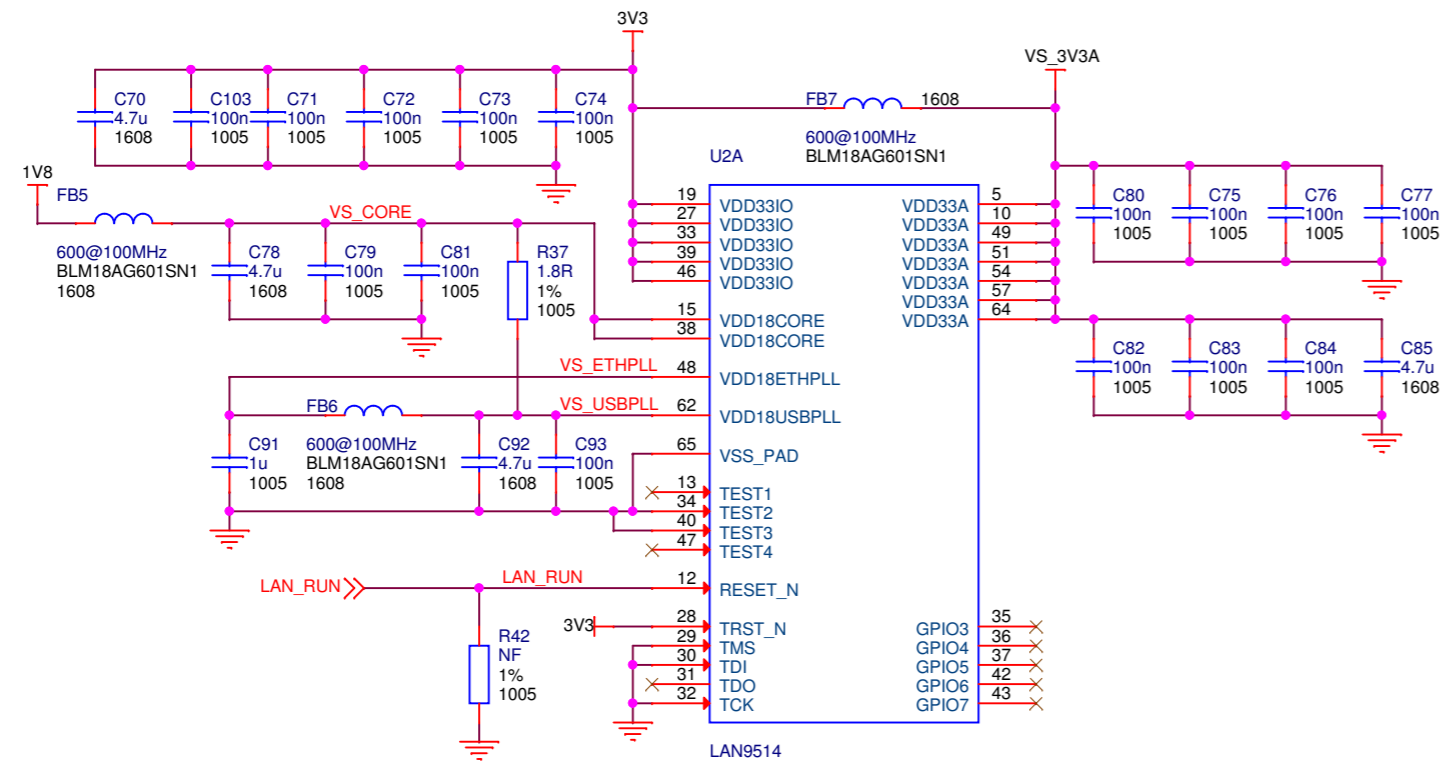


-R49, R62

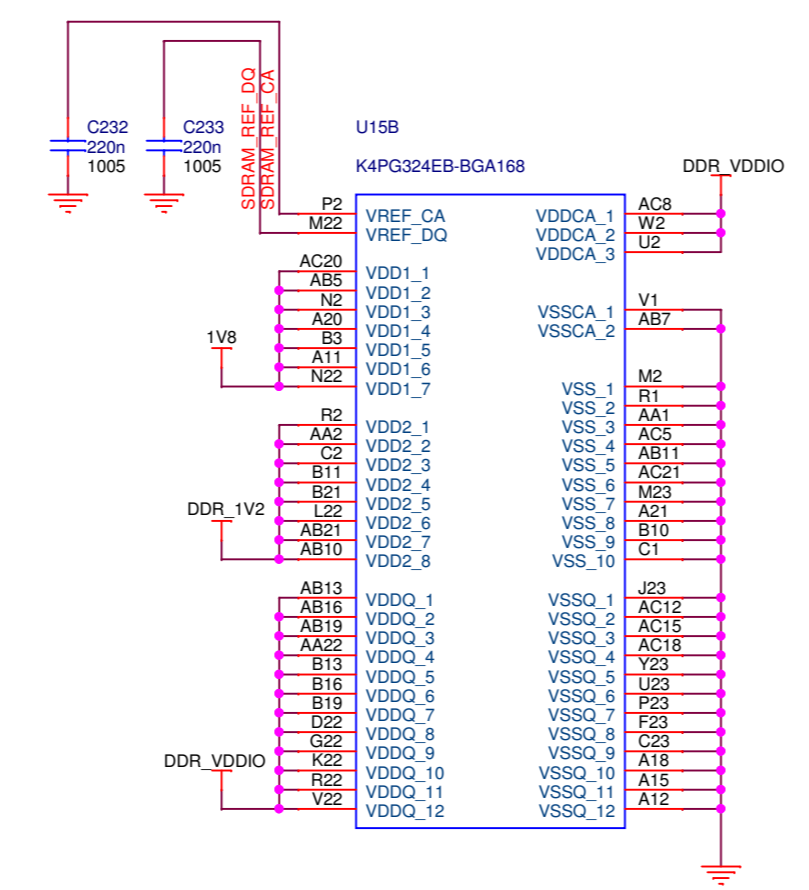
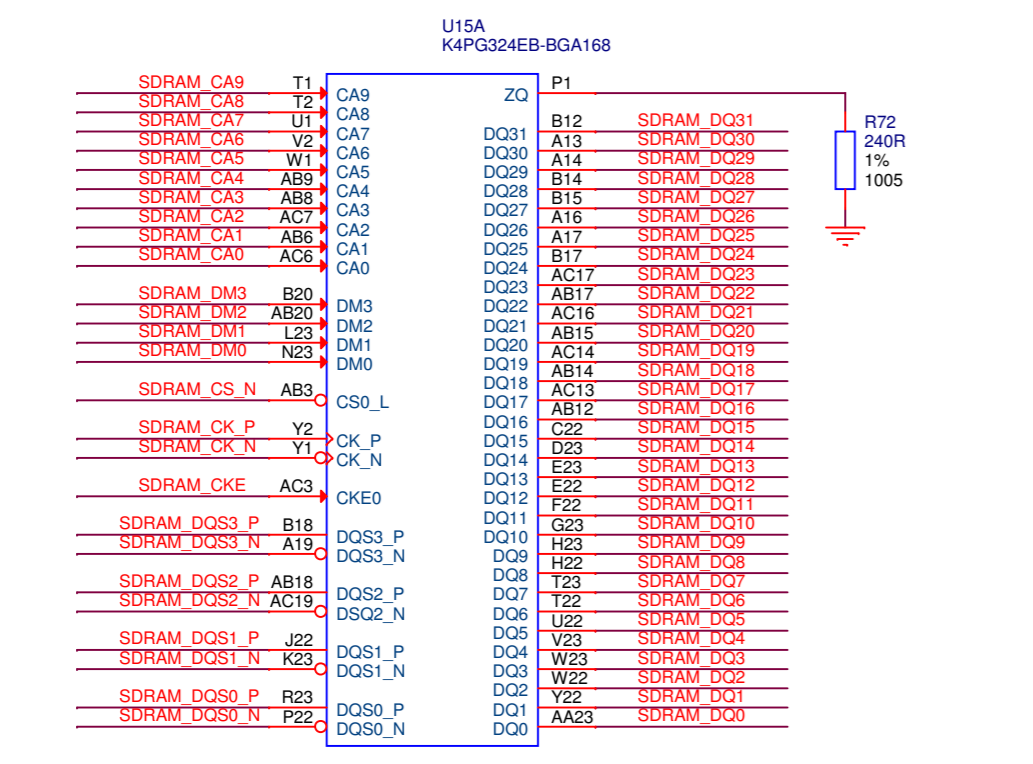
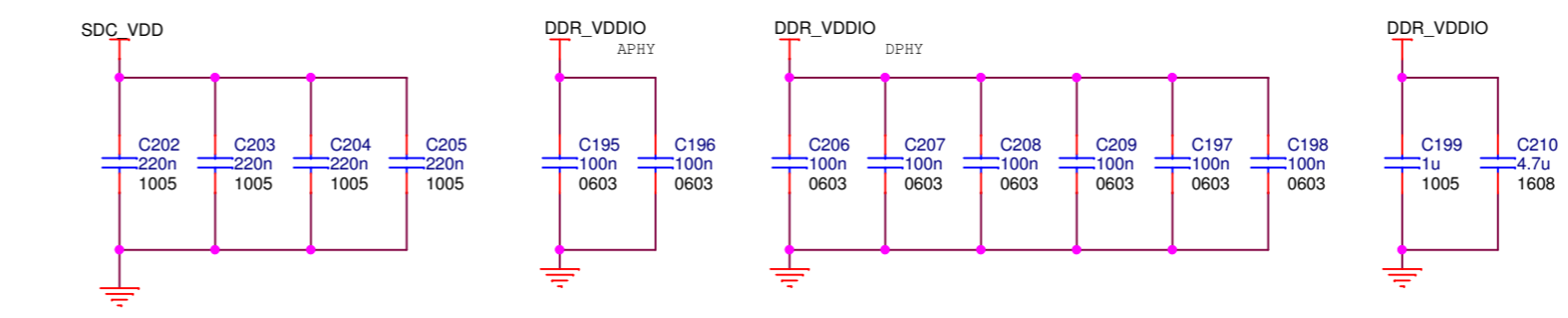
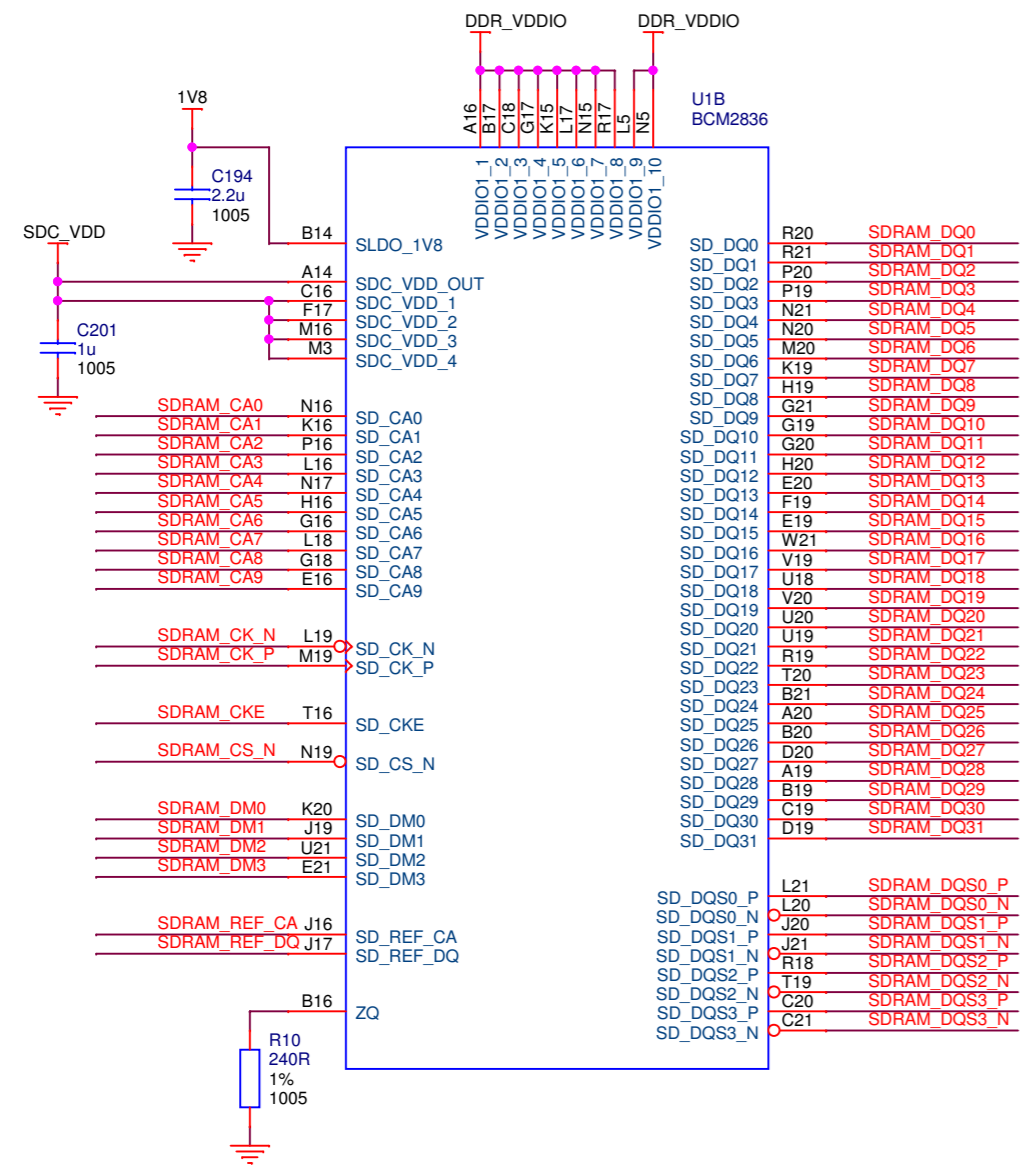


**ID\_SD and ID\_SC PINS:**  
 These pins are reserved for HAT ID EEPROM.  
 At boot time this I2C interface will be interrogated to look for an EEPROM that identifies the attached board and allows automatic setup of the GPIOs (and optionally, Linux drivers).  
**DO NOT USE these pins for anything other than attaching an I2C ID EEPROM. Leave unconnected if ID EEPROM not required.**

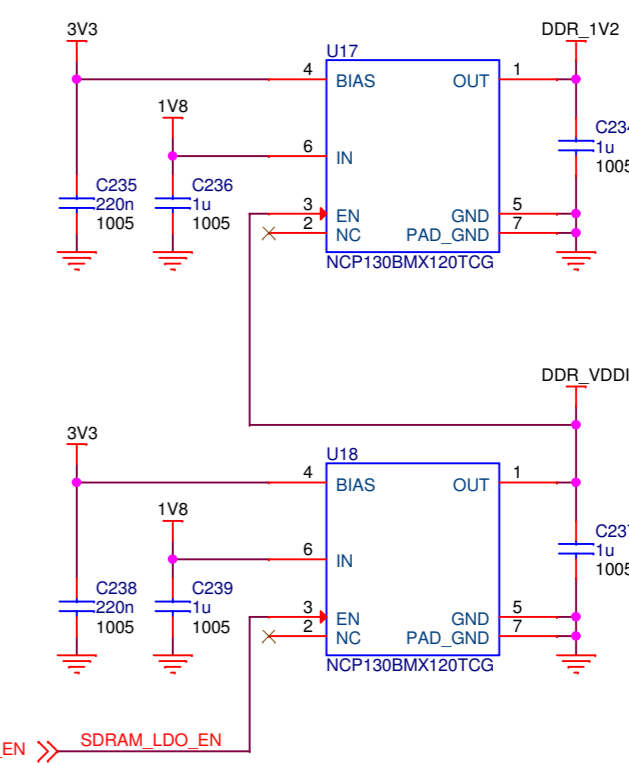
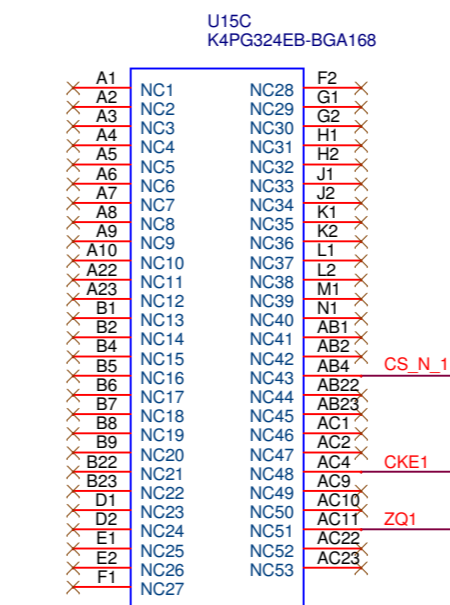
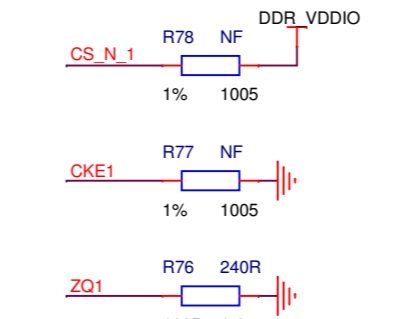


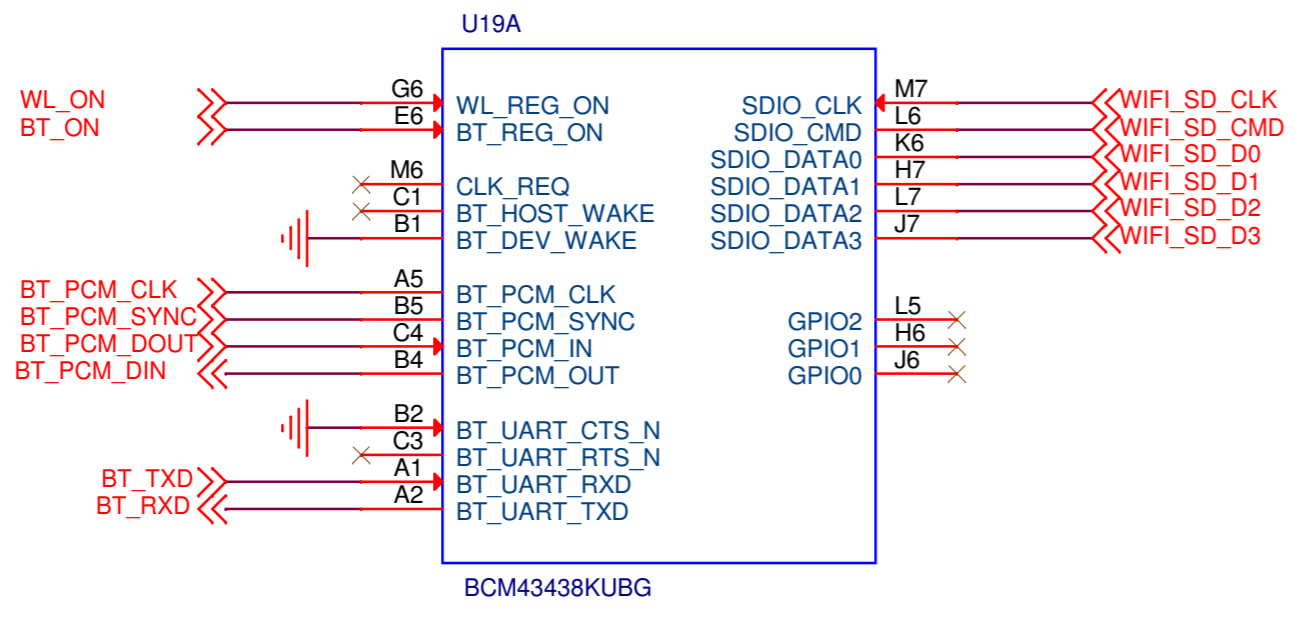




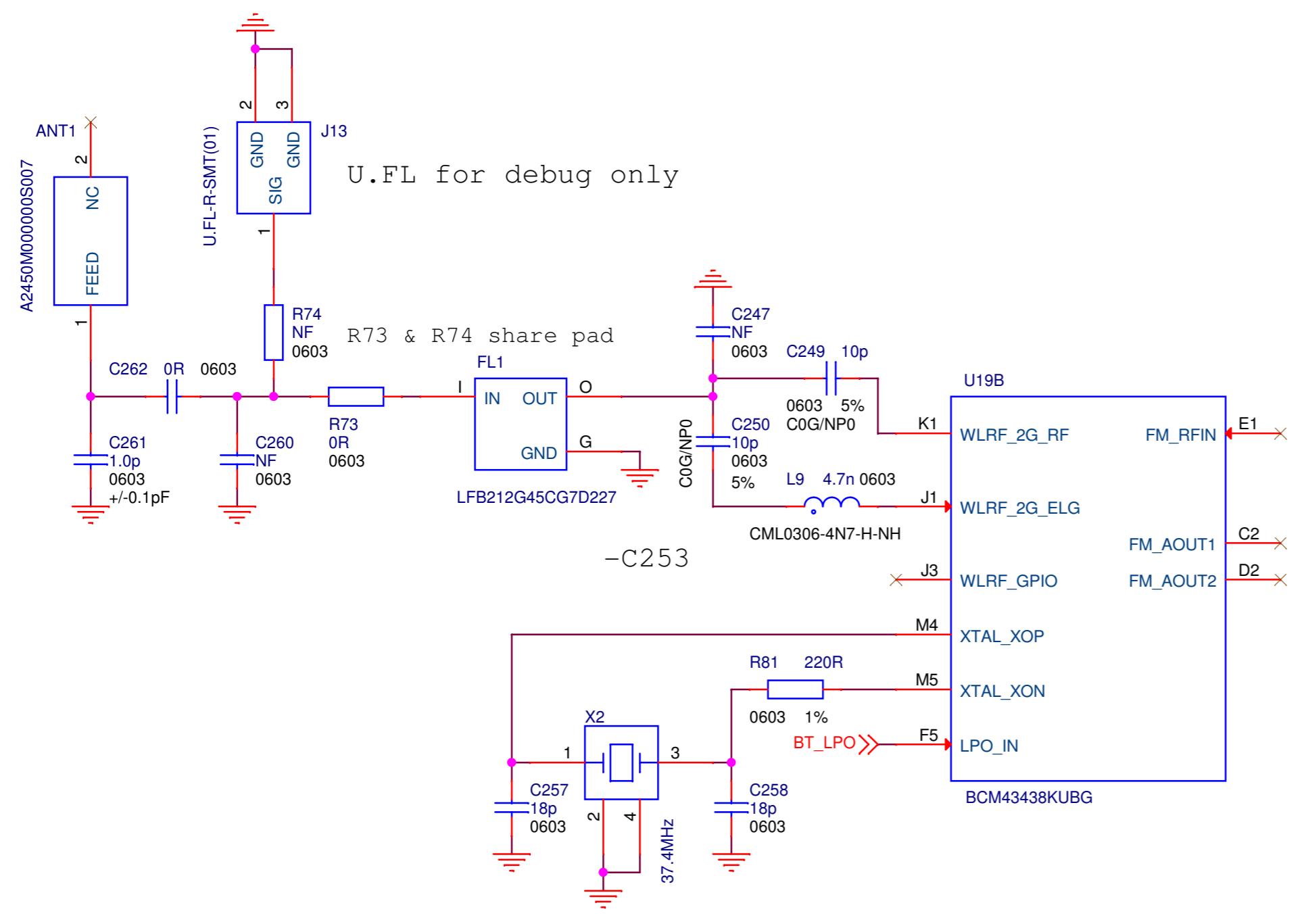


For 2 chip select memories, the following NC pins change function...  
 AC11 = ZQ1  
 AB4 = CS1  
 AC4 = CKE1

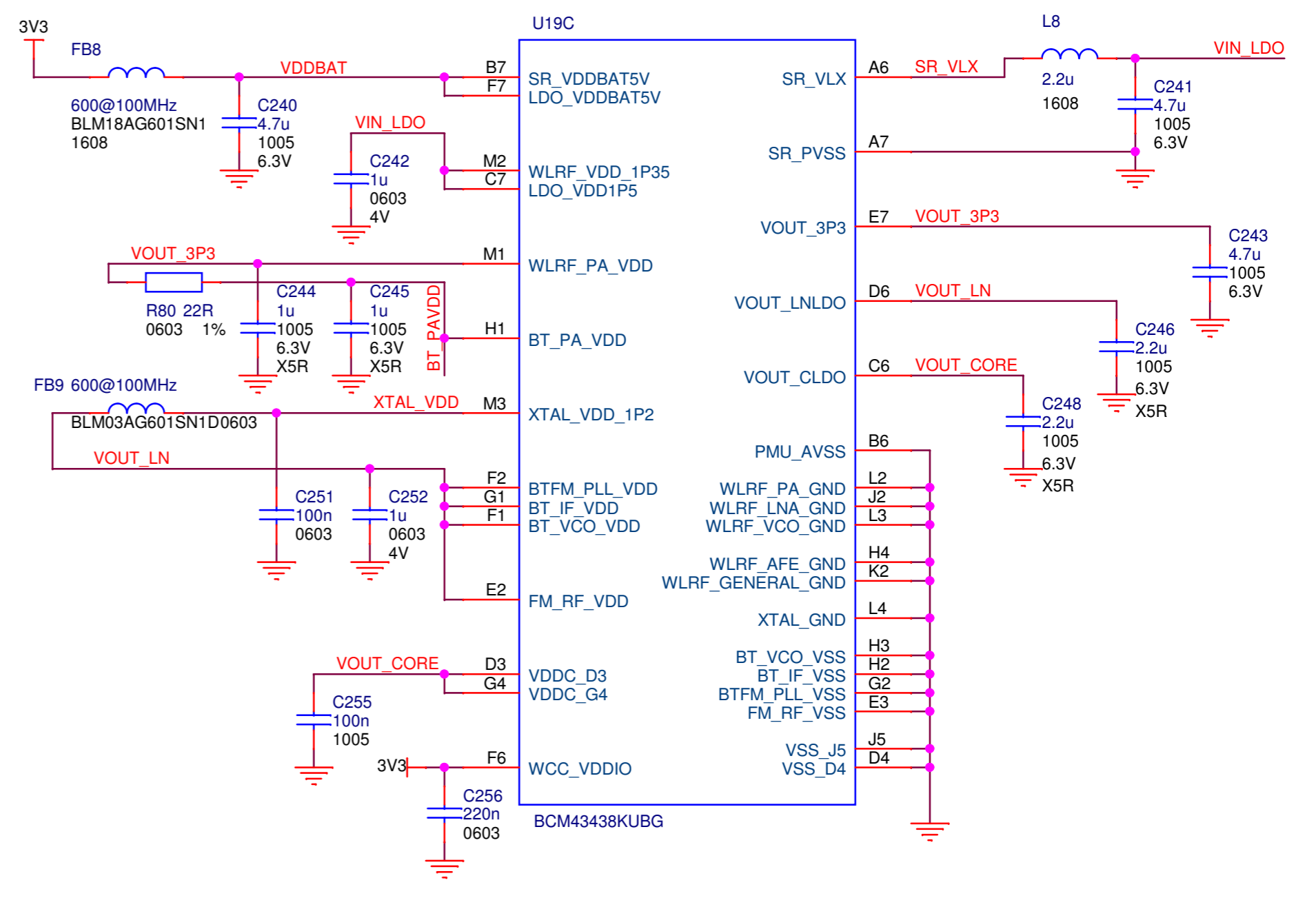
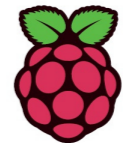




-R4, TP3



-C253

**Raspberry Pi** © Raspberry Pi 2015  
www.raspberrypi.org

Title Raspberry Pi 3		Drawn By James Adams	
Size A3	Ref RPI-3B	Rev 1.2c	
Date: Thursday, October 29, 2015	Sheet 7 of 7		